

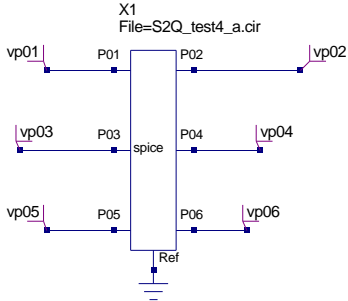
dc simulation

DC1

ac simulation

AC1

Type=log
Start=1 Hz
Stop=100kHz
Points=100



number	vp01.V	vp02.V	vp03.V	vp04.V	vp05.V	vp06.V
1	1	1	2	2	1	1