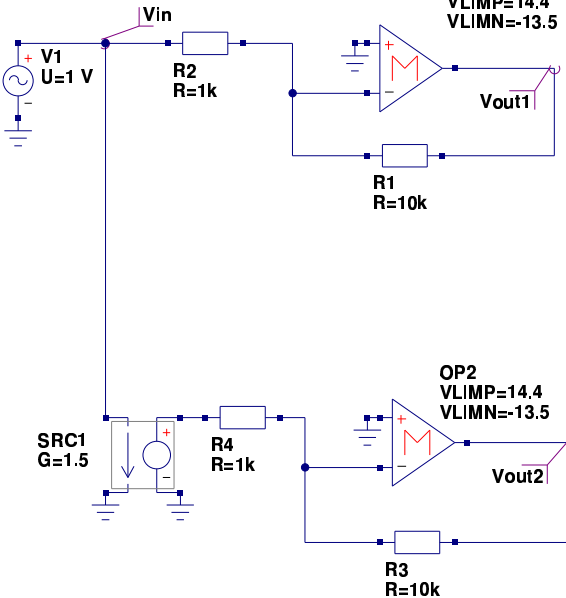


dc simulation

DC1

**transient simulation**TR1
Type=lin
Start=0
Stop=3 msOP1
VLIMP=14.4
VLIMN=-13.5