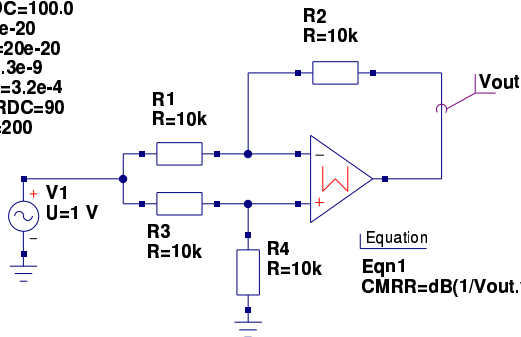


OP1
 GBP=1e6
 AOLDC=100.0
 CD=1e-20
 IOFF=20e-20
 IB=48.3e-9
 VOFF=3.2e-4
 CMRRDC=90
 FCM=200



dc simulation

DC1

ac simulation

AC1

Type=log
 Start=0.01Hz
 Stop=10 kHz
 Points=81

