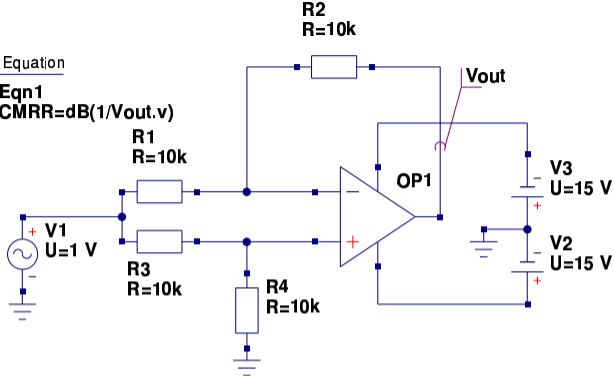


Equation

Eqn1
 $CMRR = dB(1/V_{out}.v)$



dc simulation

DC1

ac simulation

AC1

Type=log
Start=0.01Hz
Stop=10 kHz
Points=81

