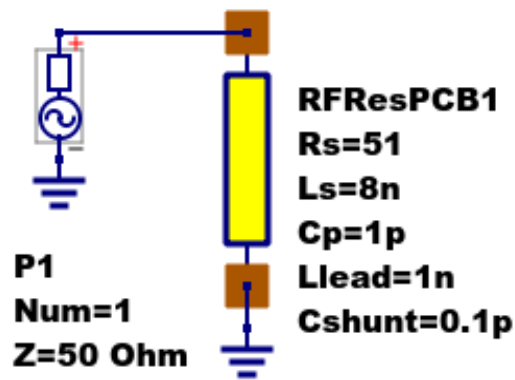


S parameter simulation

SP1
Type=log
Start=1 MHz
Stop=1.3 GHz
Points=312

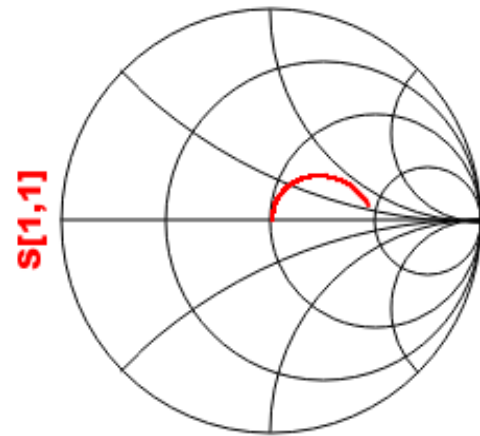


Equation

Eqn2
 $Sr_1 = \text{real}(S[1,1])$
 $Si_1 = \text{imag}(S[1,1])$

Equation

Eqn1
 $Zr = \text{real}(\text{stoz}(S))$
 $Zi = \text{imag}(\text{stoz}(S))$



frequency

