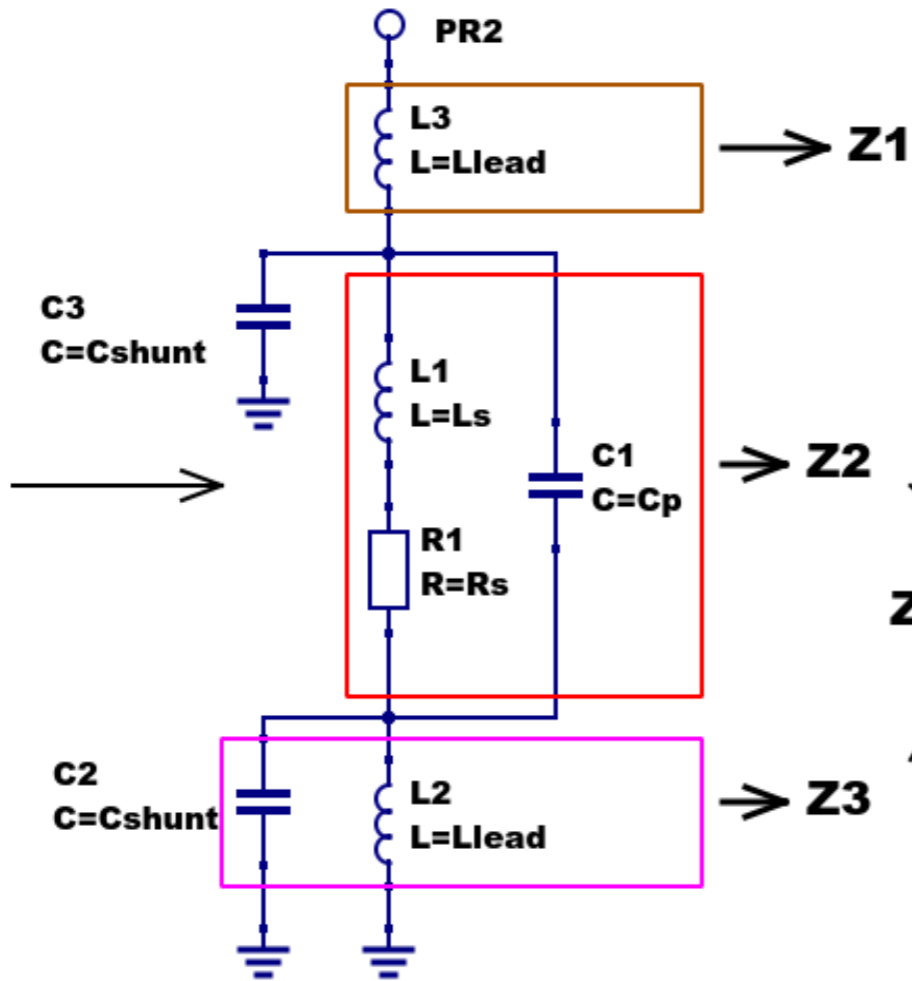


**RResPCB1**  
**Rs=50**  
**Ls=5n**  
**Cp=0.3p**  
**Llead=0.1n**  
**Cshunt=0.01p**



**$Z_{series} = Z2 + Z3 \rightarrow Z_b = Z_{series} || 1/(j \cdot \omega \cdot C_{shunt})$**

**The RF resistor model impedance  $Z = Z_b + Z1$**