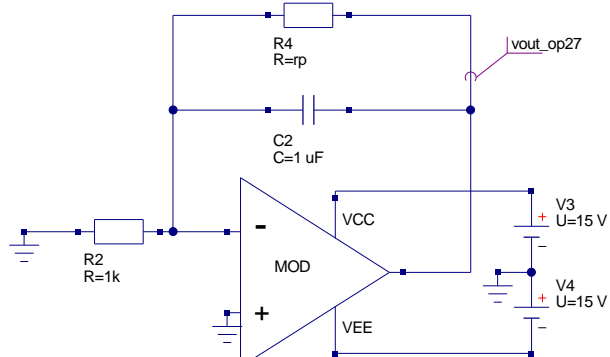


SUB1
 voff=0.7e-3
 ib=80e-9
 ioff=10e-9
 rd=2e6
 cd=1.4e-12
 cmrrdc=31622.77
 fcmz=200.0
 aoldc=199526.3
 gbp=1e6
 fp2=3e6
 pslewr=-0.5e6
 nslewr=0.5e6
 vcc=15
 vee=-15
 vccm=14
 veem=-14
 ro=75
 idcoutm=34e-3

Parameter sweep

SW1
 Sim=DC1
 Type=log
 Param=rp
 Start=1e3
 Stop=1e9
 Points=31



SUB2
 voff=30e-6
 ib=15e-9
 ioff=12e-9
 rd=4e6
 cd=1.4e-12
 cmrrdc=1778279.4
 fcmz=2009.0
 aoldc=1778279.4
 gbp=8e6
 fp2=17e6
 pslewr=2.8e6
 nslewr=2.8e6
 vcc=15
 vee=-15
 vccm=14
 veem=-14
 ro=75
 idcoutm=32e-3

dc simulation

DC1

