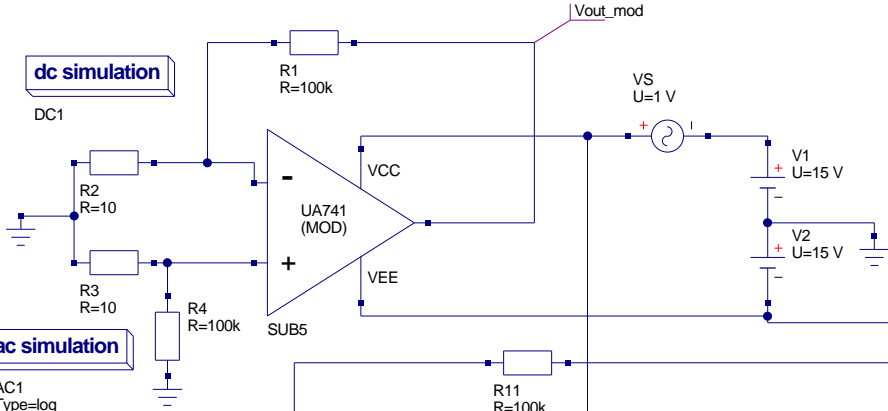


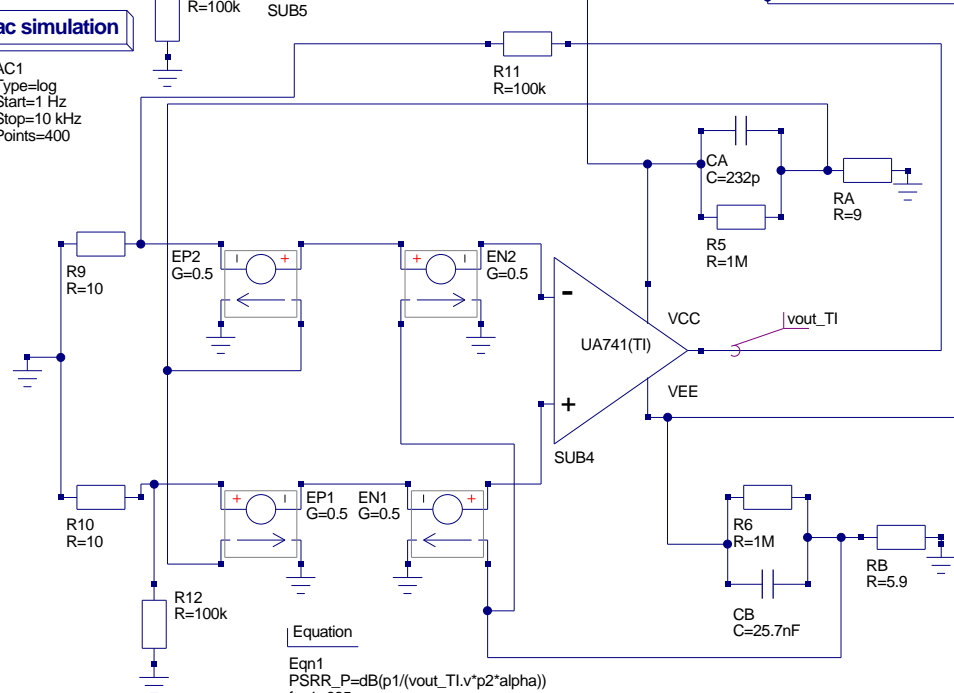
dc simulation

DC1



ac simulation

AC1
Type=log
Start=1 Hz
Stop=10 kHz
Points=400



Equation

```
Eqn1  
PSRR_P=dB(p1/(vout_T1.v*p2^alpha))  
fpz1=685  
alpha=1e-4  
gpb=1e-6  
p1=mag(1+j*acfrequency/fpz1)  
p2=mag(1+j*acfrequency/alpha*gpb)
```